

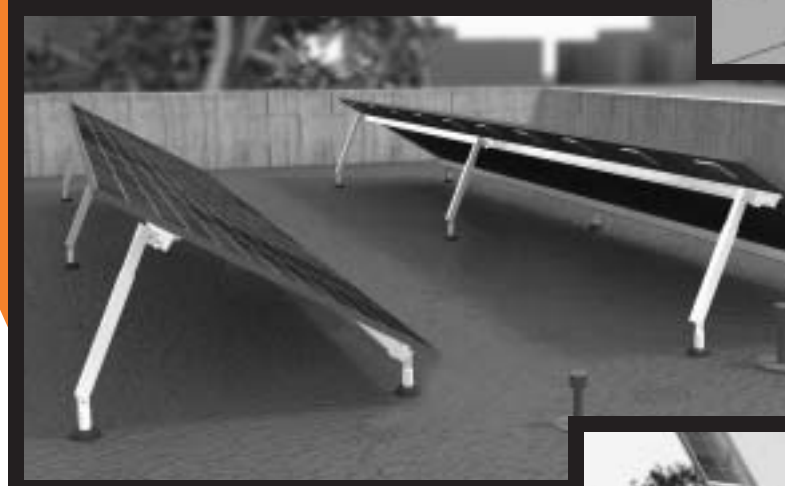
# SOLARMOUNT®

## PV MODULE MOUNTING SYSTEM

### A Configuration for Any Location

The SolarMount® system is engineered for the maximum flexibility possible in designing, locating, and installing your PV array.

On the roof or on the ground, SolarMount® components assemble into structures that support a variety of PV array configurations. Design for high profile or low—whichever suits your unique site—without worries that it won't meet code.



- ▲ Residential Roofs – Mount flush on a pitched roof where aesthetics are critical.
- ▲ Commercial Roofs – Install at a low slope, remaining invisible behind a parapet.
- ▼ Ground Mounts – Base an array on any type of footing or pad.



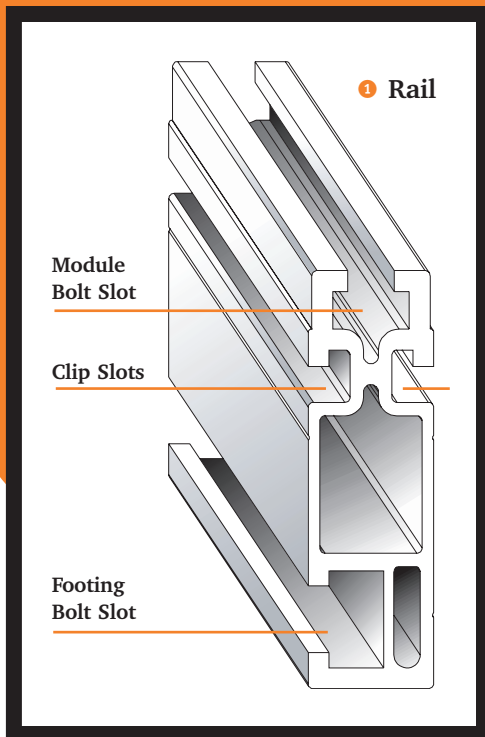
U.S. Des. Patent No. D496,248S, D496,249S.  
Other patents pending.

# SOLARMOUNT®

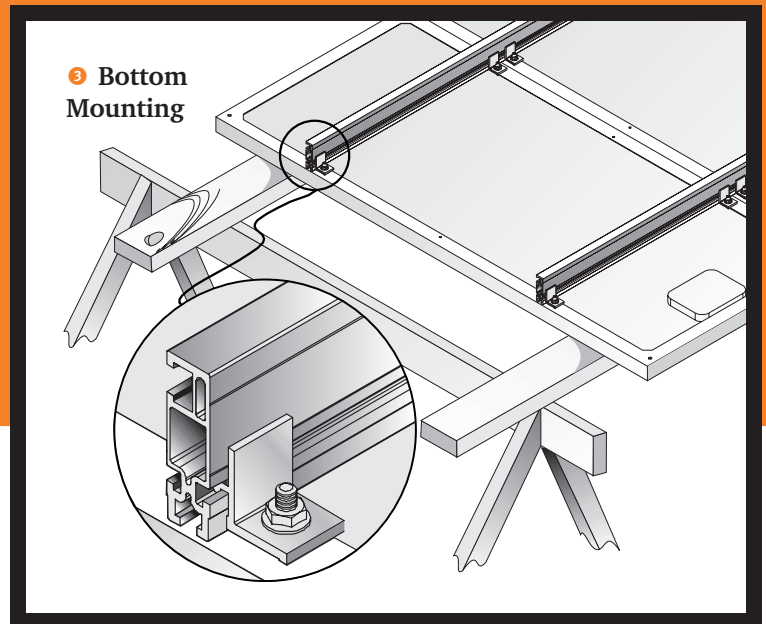
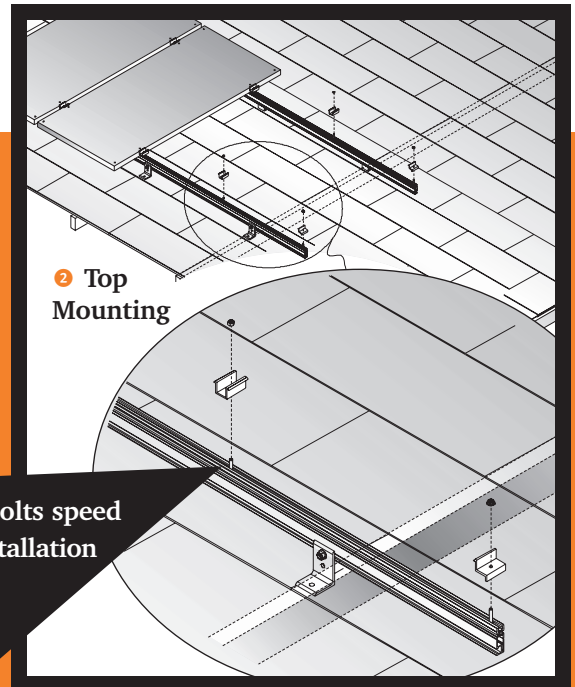
PV MODULE MOUNTING SYSTEM

## Versatile Components Give You Choices

The choice is yours. Attach your modules directly to SolarMount® on the roof, or pre-assemble modules and rails and attach to the footings afterward.



T-bolts speed installation



### SolarMount® Rails

1 The heart of the system. Four mounting slots in the SolarMount® rail give you ultimate flexibility for module mounting and foot placement. Clamp modules to the rails from the top, freeing yourself from the constraint of the module mounting holes. Or clip and bolt modules from the bottom to either side of the rail. The footing bolt slot gives you complete freedom of footing placement. You'll always be able to hit the rafter.

### Top Mounting Clamps

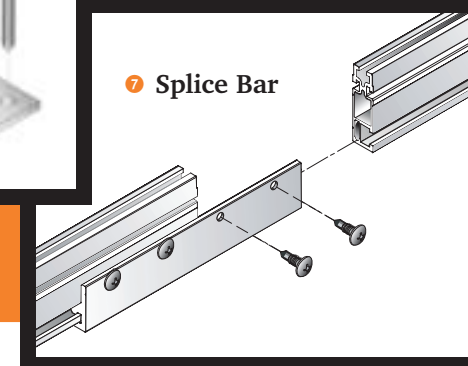
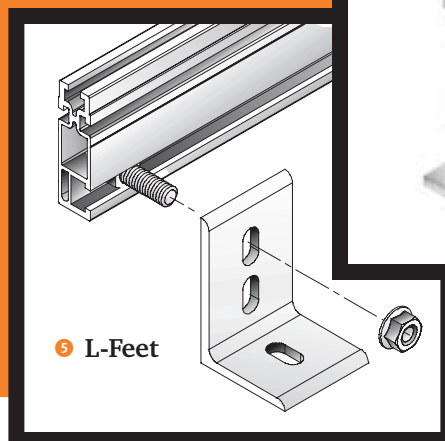
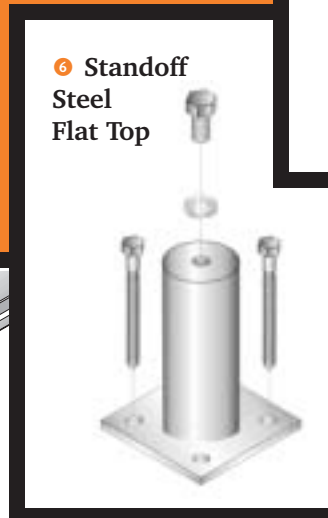
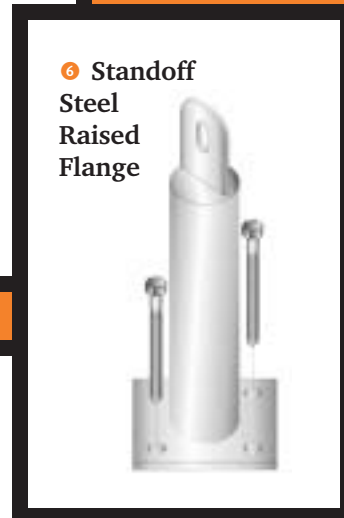
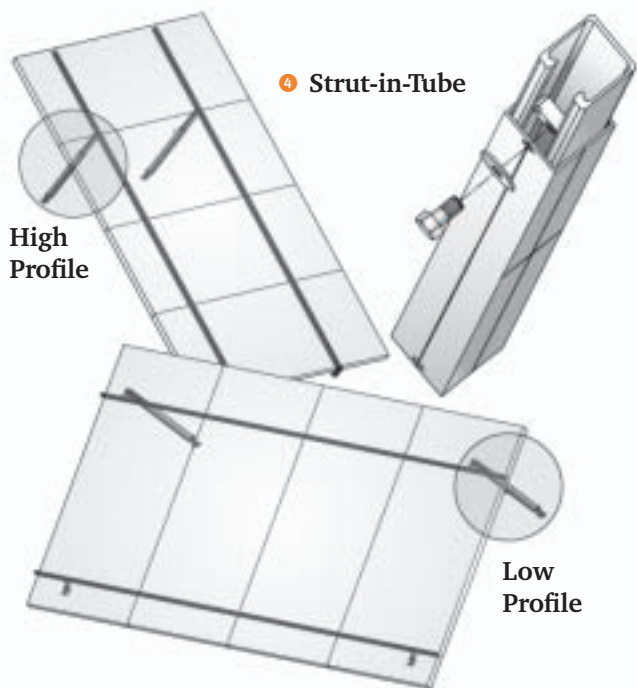
2 Mount your modules to the rail from the top. This is ideal for flush mount applications, such as residential rooftops, where it is most convenient to pre-assemble rails and footings before installing modules.

Clamps also free you from the constraints of module mounting holes. Achieve a secure attachment anywhere along a module's frame.

### Bottom Mounting Clips

3 Use bottom mounting clips whenever you prefer to attach rails directly to the module mounting holes. Simply fit the clip into its rail slot over the mounting bolt for a secure connection.

Adjust the clip position anywhere within the rail slot. Alignment of rails to module mounting holes is always easy and convenient.



## Flexible Components Speed Installation

Whether your array is ground mounted or roof mounted, flush mounted or tilted up, there are **SolarMount®** footings and legs to meet your needs.

### Strut-in-Tube Style Legs

4 Quickly set the precise tilt angle required. Styles are available for **high profile** (1 or 2 legs per rail) and **low profile** installations. Each series offers three leg lengths so that you can adjust to exactly the tilt angle you want – up to a maximum of 60 degrees – without cutting and drilling at the job site.

### L-feet

5 Standard for ground mount installations. Use them in many residential rooftop installations as well, particularly with asphalt composition shingles, and in many commercial roofing applications.

Rail mounting holes are at two heights. In flush mounts, use the upper hole to raise the modules and promote air flow for cooling. Where aesthetics are the greater concern, use the lower hole to keep the modules close to the roof.

### Standoffs and Splices

6 Use standoffs whenever flashed installations are required—on tile roofs, for example. Our new two-piece **aluminum standoff** allows precise placement of a flashing over a secured base prior to the installation of the standoff itself.

All three types come in a range of standard heights—3, 4, 6, or 7 inches. Choose a flashing that's a perfect mate for your standoff and roof type.

7 **Splice Bars** slide into the footing bolt slots of **SolarMount®** rail sections, joining rails end-to-end in long, flush or low profile installations.

# SOLARMOUNT®

PV MODULE MOUNTING SYSTEM

## Modules

Use SolarMount® with PV panels from all major manufacturers

BP Solar, Evergreen, First Solar, GE Energy, Isofoton, Kaneka, Kyocera, Mitsubishi, Photowatt, RWE Schott, Sanyo, Sharp, Shell, SunWize, UniSolar

## Resources

Downloads from the SolarMount® page at [www.unirac.com](http://www.unirac.com)

**SolarMount® Estimator** An Excel worksheet to generate quick price estimates as you consider potential configurations

**SolarMount® Master Price List and Sizing Chart** All ordering options in one place

**Installation Manual 214 SolarMount® Code-Compliant Planning and Assembly** (with PE certification)

**Installation Manuals** High Profile Tilt Legs, Low Profile Tilt Legs

**Installation Sheets** Splices, Shims, Security Hardware, Hanger Bolts, Galling and Its Prevention

## Code Compliance

The SolarMount® system is PE certified to meet Uniform and California building codes. Our documentation supports your permit application.

## SolarMount® Component Specifications

**SolarMount® rails, top-mounting clamps, bottom-mounting clips, tilt legs, L-feet, and two-piece standoffs:** 6105-T5 aluminum extrusion.

**One-piece standoffs:** Service Condition 4 (very severe) zinc-plated, welded steel.

**Fasteners:** 304 stainless steel.



THE STANDARD IN PV MOUNTING STRUCTURES™

**UniRac, Inc.**

3201 University Boulevard SE, Suite 110

**505.242.6411**

Pub 041004-1ds • November 2004

[www.unirac.com](http://www.unirac.com)

Albuquerque NM 87106-5635 USA

505.242.6412 Fax

© 2004 UniRac, Inc. All rights reserved

### 10 year limited Product Warranty, 5 year limited Finish Warranty

UniRac, Inc., warrants to the original purchaser ("Purchaser") of product(s) that it manufactures ("Product") at the original installation site that the Product shall be free from defects in material and workmanship for a period of ten (10) years, except for the anodized finish, which finish shall be free from visible peeling, or cracking or chalking under normal atmospheric conditions for a period of five (5) years, from the earlier of 1) the date the installation of the Product is completed, or 2) 30 days after the purchase of the Product by the original Purchaser ("Finish Warranty").

The Finish Warranty does not apply to any foreign residue deposited on the finish. All installations in corrosive atmospheric conditions are excluded. The Finish Warranty is VOID if the practices specified by AAMA 609 & 610-02 – "Cleaning and Maintenance for Architecturally Finished Aluminum" ([www.aamanet.org](http://www.aamanet.org)) are not followed by Purchaser. This Warranty does not cover damage to the Product that occurs during its shipment, storage, or installation.

This Warranty shall be VOID if installation of the Product is not performed in accordance with UniRac's written installation instructions, or if the Product has been modified, repaired, or reworked in a manner not previously authorized by UniRac IN WRITING, or if the Product is installed in an environment for which it was not designed. UniRac shall not be liable for consequential, contingent or incidental damages arising out of the use of the Product by Purchaser under any circumstances.

If within the specified Warranty periods the Product shall be reasonably proven to be defective, then UniRac shall repair or replace the defective Product, or any part thereof, in UniRac's sole discretion. Such repair or replacement shall completely satisfy and discharge all of UniRac's liability with respect to this limited Warranty. Under no circumstances shall UniRac be liable for special, indirect or consequential damages arising out of or related to use by Purchaser of the Product.

Manufacturers of related items, such as PV modules and flashings, may provide written warranties of their own. UniRac's limited Warranty covers only its Product, and not any related items.